



INTORQ

setting the standard

INTORQ BFK470

Spring-applied brake with electromagnetic release

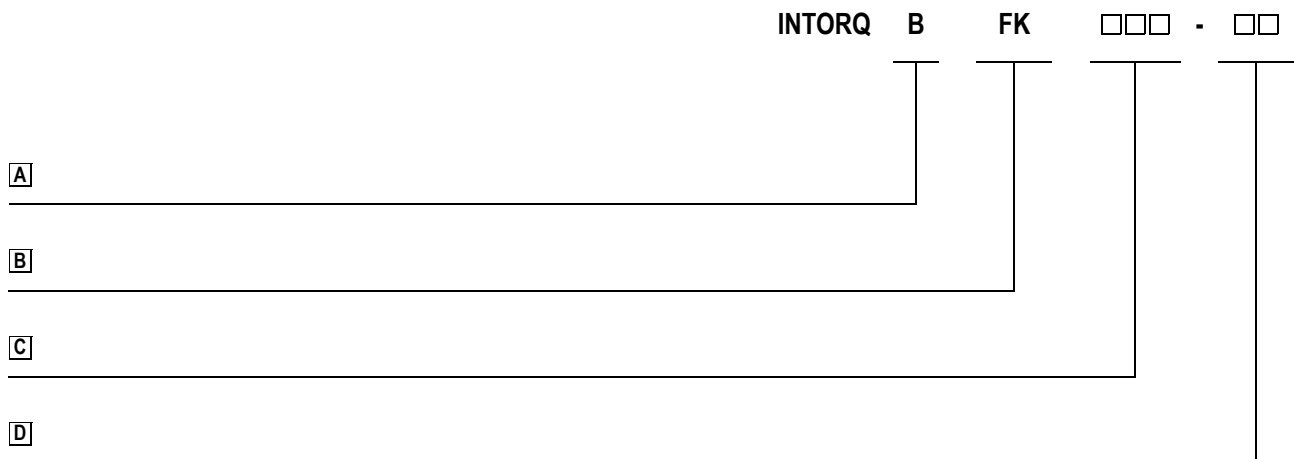
Translation of the Original Operating Instructions

www.intorq.com

This documentation applies to the:



Product key



Legend for the product key

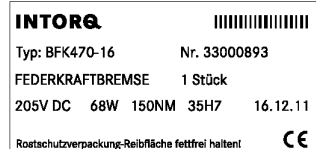
INTORQ BFK470

A	Product group	Brake
B	Product type	Spring-applied brake
C	Type	470
D	Size	06, 08, 10, 12, 14, 16, 18

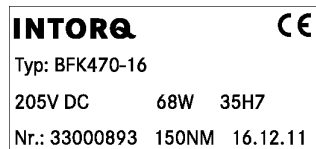
Not coded: Supply voltage, hub bore hole, options

Identification

Packaging label	Example
Manufacturer	Bar code
Type (see product key)	Type No.
Designation	Qty. per box
Rated voltage	Rated power
Rated torque	Hub diameter
Note	Packaging date
	CE mark



Name plate	Example
Manufacturer	CE mark
Type (see product key)	
Designation	
Rated voltage	Rated power
Type No.	Hub diameter
Rated torque	Date of manufacture



Document history

Material number	Version			Description
33001439	1.0	01/2012	TD09	First edition
33001439	1.1	03/2012	TD09	Supplemented the technical data
33001439	1.2	10/2012	TD09	Added to the "Brake assembly" chapter Updated the "Abbreviations used" table Supplemented the characteristics, rated data and operating times
33001439	2.0	05/2013	TD09	Degree of protection changed Added note about the end shield characteristics Shaft characteristic defined, "Mechanical installation" chapter "Checking the brake" chapter (maintenance and repair) supplemented
33001439	3.0	05/2013	TD 09	Text with regard to the disengagement time updated
33001439	3.1	03/2014	SC	Restructured FM; note concerning brake seal 23
33001439	4.0	01/2015	SC	Harmonized connection diagrams
33001439	5.0	08/2016	SC	Additional sizes: 06, 08, 10, 12

Refer to www.intorq.de for the latest version of these operating instructions.

Contents

1	Preface and general information	5
1.1	About these Operating Instructions	5
1.2	Terminology used	5
1.3	Conventions in use	5
1.4	Abbreviations used	6
1.5	Safety instructions and notices	7
1.6	Scope of delivery	8
1.7	Disposal	8
1.8	Drive systems	9
1.9	Legal regulations	9
2	Safety instructions	10
2.1	General safety instructions	10
2.2	Application as directed	11
3	Technical specifications	12
3.1	Product description	12
3.2	Rated data	14
3.3	Rated data (dimensioning data) electrical data	16
3.4	Switching energy / operating frequency	18
3.5	Emissions	19
4	Mechanical installation	20
4.1	Important notes	20
4.2	Assembly	22
5	Electrical installation	25
5.1	Important notes	25
5.2	Electrical connection	25
5.3	Technical data for inductive proximity sensors	30
5.4	Minimum bend radius for the brake connection line	31
5.5	Bridge/half-wave rectifier (optional)	31
6	Commissioning and operation	34
6.1	Important notes	34
6.2	Function checks before commissioning	35
6.3	Brake with proximity sensor	36
6.4	Commissioning	37
6.5	During operation	37
7	Maintenance and repair	38
7.1	Wear of spring-applied brakes	38
7.2	Inspections	39
7.3	Maintenance	40
7.4	Spare-parts list	43
7.5	Electrical accessories	43
8	Troubleshooting and fault elimination	44

1 Preface and general information

1.1 About these Operating Instructions




- These Operating Instructions will help you to work safely with the spring-applied brake with electromagnetic release. They contain safety instructions that must be followed.
- All persons working on or with electromagnetically released spring-applied brakes must have the Operating Instructions available and observe the information and notes relevant for them.
- The Operating Instructions must always be in a complete and perfectly readable condition.

1.2 Terminology used

Term	In the following text used for
Spring-applied brake	Spring-applied brake with electromagnetic release
Drive system	Drive systems with spring-applied brakes and other drive components

1.3 Conventions in use

This document uses the following styles to distinguish between different types of information:

Spelling of numbers	Decimal separator	Point	The decimal point is always used. For example: 1234.56
Symbols	Page reference		Reference to another page with additional information For example:  16 = refer to page 16
	Wildcard	<input type="checkbox"/>	Wildcard for options, selections For example: BFK458- <input type="checkbox"/> <input type="checkbox"/> = BFK458-10
	Note		Important notice about ensuring smooth operations or other key information.

1.4 Abbreviations used

Letter symbol	Unit	Designation
F_R	N	Rated frictional force
I	A	Current
I_H	A	Holding current, at 20 °C and holding voltage
I_L	A	Release current, at 20 °C and release voltage
I_N	A	Rated current, at 20 °C and rated voltage
M_A	Nm	Tightening torque of fixing screws
M_{dyn}	Nm	Braking torque at a constant speed of rotation
M_K	Nm	Rated torque of the brake, rated value at a relative speed of rotation of 100 rpm
n_{max}	rpm	Maximum occurring speed of rotation during the slipping time t_3
P_H	W	Coil power during holding, after voltage change-over and 20 °C
P_L	W	Coil power during release, before voltage change-over and 20 °C
P_N	W	Rated coil power, at rated voltage and 20 °C
Q	J	Quantity of heat/energy
Q_E	J	Max. permissible friction energy for one-time switching, thermal parameter of the brake
Q_R	J	Braking energy, friction energy
Q_{Smax}	J	Maximally permissible friction energy for cyclic switching, depending on the operating frequency
R_N	Ohms	Rated coil resistance at 20 °C
S_h	1/h	Switching frequency: the number of switching operations evenly spread over the time unit
S_{hue}	1/h	Transition operating frequency, thermal parameter of the brake
S_{hmax}	1/h	Maximum permissible operating frequency, depending on the friction energy per switching operation
S_L	mm	Air gap: the lift of the armature plate while the brake is switched
S_{LN}	mm	Rated air gap
S_{Lmin}	mm	Minimum air gap
S_{Lmax}	mm	Maximum air gap
t_1	ms	Engagement time, sum of the delay time and braking torque - rise time $t_1 = t_{11} + t_{12}$
t_2	ms	Disengagement time, time from switching the stator until reaching 0.1 M_{dyn}
t_3	ms	Slipping time, operation time of the brake (according to t_{11}) until standstill




Letter symbol	Unit	Designation
t_{11}	ms	Delay during engagement (time from switching off the supply voltage to the beginning of the torque rise)
t_{12}	ms	Rise time of the braking torque, time from the start of torque rise until reaching the braking torque
t_{ue}	s	Overexcitation time
U	V	Voltage
U_H	V DC	Holding voltage, after voltage change-over
U_L	V DC	Release voltage, before voltage change-over
U_N	V DC	Rated coil voltage; in the case of brakes requiring a voltage change-over, U_N equals U_L

1.5 Safety instructions and notices








The following icons and signal words are used in this document to indicate dangers and important safety information:

Safety instructions

Structure of safety instructions:

	 SIGNAL WORD
	Icon Indicates the type of danger
	Signal word Characterises the type and severity of danger
	Note Describes the danger
	Possible consequences ■ List of possible consequences if the safety instructions are disregarded.
	Protective measure ■ List of protective measures to avoid the danger.

Danger level

	<p> DANGER</p> <p>DANGER indicates a hazardous situation which, if not avoided, <i>will</i> result in death or serious injury.</p>
	<p> WARNING</p> <p>WARNING indicates a potentially hazardous situation which, if not avoided, <i>could</i> result in death or serious injury.</p>
	<p> CAUTION</p> <p>CAUTION indicates a hazardous situation which, if not avoided, could result in minor or moderate injury.</p>
	<p>NOTICE</p> <p>Notice about a harmful situation with possible consequences: the product itself or surrounding objects could be damaged.</p>

1.6 Scope of delivery

After receipt of the delivery, check immediately whether the items delivered match the accompanying papers. INTORQ does not accept any liability for deficiencies claimed subsequently.

- Claim visible transport damage immediately to the deliverer.
- Claim visible deficiencies or incomplete deliveries immediately to INTORQ GmbH & Co. KG.

1.7 Disposal

The spring-applied brake consists of different types of material.

- Recycle metals and plastics.
- Ensure professional disposal of assembled PCBs according to the applicable environmental regulations.

1.8 Drive systems

Labelling

Drive systems and components are unambiguously designated by the indications on the name plate.

Manufacturer: INTORQ GmbH & Co. KG, Wülmser Weg 5, D-31855 Aerzen, Germany

1.9 Legal regulations

Liability

- The information, data and notes in these Operating Instructions met the state of the art at the time of printing. Claims referring to drive systems which have already been supplied cannot be derived from this information, illustrations and descriptions.
- We do not accept any liability for damage and operating interference caused by:
 - inappropriate use
 - unauthorised modifications to the product
 - improper work on or with the drive system
 - operating errors
 - disregarding the documentation

Warranty

- Terms of warranty: Refer to the terms of sale and delivery for INTORQ GmbH & Co. KG.
- Warranty claims must be made to INTORQ immediately after the defects or faults are detected.
- The warranty is void in all cases when liability claims cannot be made.

2 Safety instructions

2.1 General safety instructions

- INTORQ components ...
 - ... must only be used as directed.
 - ... must not be commissioned if they are noticeably damaged.
 - ... must not be technically modified.
 - ... must not be commissioned if they are incompletely mounted or connected.
 - ... must not be operated without the required covers.
 - ... can hold live as well as moving or rotary parts during operation according to their degree of protection. Surfaces may be hot.
- For INTORQ components ...
 - ... the documentation must always be kept at the installation site.
 - ... only permitted accessories are allowed to be used.
 - ... only original spare parts of the manufacturer are allowed to be used.
- Follow all specifications and information found in the corresponding enclosed documentation. These must be followed to maintain safe, trouble-free operations and to achieve the specified product characteristics.
- Only qualified, skilled personnel are permitted to work on and with INTORQ components. According to IEC 60364 or CENELEC HD 384, qualified, skilled personnel are persons ...
 - ... who are familiar with the installation, mounting, commissioning, and operation of the product.
 - ... who have the qualifications necessary for their occupation.
 - ... who know and apply all regulations for the prevention of accidents, directives, and laws relevant on site.
- Risk of burns!
 - Surfaces may be hot during operation! Provide for protection against accidental contact.
- Risk of injury due to a rotating shaft!
 - Wait until the motor is at standstill before you start working on the motor.
- The friction lining and the friction surfaces must never contact oil or grease since even small amounts reduce the braking torque considerably.
- The brake is designed for operation under the environmental conditions that apply to IP66 protection. Because of the numerous possibilities of using the brake, it is however necessary to check the functionality of all mechanical components under the corresponding operating conditions.

2.2 Application as directed

- INTORQ components ...
 - ... are intended for use in machinery and systems.
 - ... must only be used for the purposes ordered and confirmed.
 - ... must only be operated under the ambient conditions prescribed in these Operating Instructions.
 - ... must not be operated beyond their corresponding power limits.

Any other use or excessive usage shall be deemed improper!

Possible applications of the INTORQ spring-applied brake

- No explosive or aggressive atmosphere.
- Humidity: no restrictions
- Ambient temperature:
 - Standard design: -20 °C to +50 °C
 - Optional CCV design: -40 °C to +50 °C

3 Technical specifications

3.1 Product description

3.1.1 Structure and function

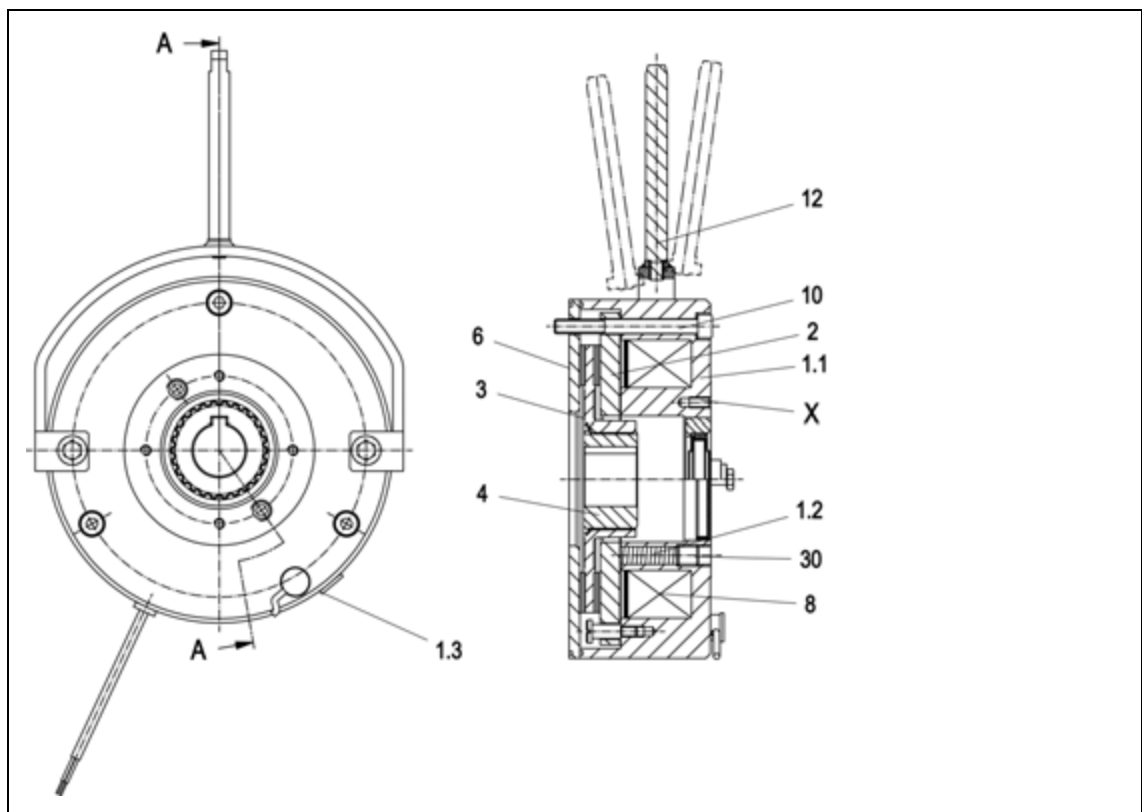


Abb.1 Design of a BFK470 spring-applied brake

1.1 Stator	3 Complete rotor	10 Socket head cap screw, DIN EN ISO 4762
1.2 Pressure springs	4 Hub	12 Complete manual release (optional)
1.3 Plug (check for air gap)	6 Flange (optional)	30 Setting screw for the factory-set adjustment of the spring force (sealed), applies only to sizes 12-18
2 Armature plate	8 Coil	X Bore holes are optional

The spring-applied brake is designed for converting mechanical work and kinetic energy into heat energy. Due to the static braking torque, loads can be held at standstill. Emergency braking is possible at high speed of rotation. The wear increases as the switching energy increases.

The spring-applied brakes BFK470 are electrically releasable single-disc brakes with two friction surfaces. When de-energized, both of the rotor's friction surfaces are tightened by the force of the compression springs between the armature plate and the flange. The braking torque is applied over the friction radius of the rotor; it is transferred to the shaft via a hub that has axial gear teeth. When the brakes are applied, an air gap " s_L " is present between the stator and the armature plate. To release the brake, the stator's coil is energized with DC voltage. The resulting magnetic flux works against the spring force to draw the armature plate to the stator. This releases the rotor from the spring force and allows it to rotate freely.



NOTICE

Due to the structural design of the stator, the air gap cannot be installed downstream. If the wear limit is reached, the rotor must be replaced.

3.1.2 Brakes

During the braking procedure, the pressure springs (1.2) use the armature plate (2) to press the rotor (3) (which can be shifted axially on the hub (4)) against the friction surface. The asbestos-free friction linings ensure high braking torque and low wear. The braking torque is transmitted between the hub (4) and the rotor (3) via gear teeth.

3.1.3 Brake release

When the brakes are applied, an air gap " s_L " is present between the stator (1.1) and the armature plate (2). To release the brake, the coil of the stator (1.1) is energized with the DC voltage provided. The resulting magnetic flux works against the spring force to draw the armature plate (2) to the stator (1.1). This releases the rotor (3) from the spring force and allows it to rotate freely

3.1.4 Project planning notes

- The brakes are dimensioned in such a way that the given rated torques are reached safely after a short run-in process.
- However, as the organic friction linings used do not all have identical properties and because environmental conditions can vary, deviations from the specified braking torques are possible. These must be taken into account in the form of appropriate dimensioning tolerances. Increased breakaway torque is common in particular after long downtimes in humid environments where temperatures vary.
- If the brake is used as a pure holding brake without dynamic load, the friction lining must be reactivated regularly.

3.2 Rated data

Type	Max. speed of rotation ¹⁾ n _{max} [rpm]	Temperature class Stator	Operating time [%]	Moment of inertia Rotor [kgcm ²]	Mass of brake			
					without flange [kg]	with flange [kg]	without flange + Manual release [kg]	with flange + Manual release [kg]
BFK470-06	6000	F (155°C)	100	0.15	1.3	1.5	1.4	1.6
BFK470-08	5000	F (155°C)	100	0.61	2.0	2.2	2.1	2.3
BFK470-10	4000	F (155°C)	100	2.0	3.5	3.9	3.7	4.0
BFK470-12	3600	F (155°C)	100	4.5	5.0	5.6	5.3	5.8
BFK470-14	3600	F (155°C)	100	6.3	7.7	8.5	8.1	8.9
BFK470-16	3600	F (155°C)	100	15.0	11.9	13.1	12.5	13.7
BFK470-18	3600	F (155°C)	100	29.0	17.6	19.1	18.6	20.0

Tab. 1: General brake characteristics




¹⁾ Maximum speed of rotation when installed horizontally (for higher speeds, contact the manufacturer)

Type	Air gap			Rotor thickness		New state [mm]
	s _{LN} [mm]	s _{L max}		min.		
		operating brake [mm]	holding brake [mm]	operating brake [mm]	holding brake [mm]	
BFK470-06	0.2 ^{+0.08} / _{-0.05}	0.5	0.3	5.73	5.93	6.0 _{-0.05}
BFK470-08	0.2 ^{+0.08} / _{-0.05}	0.5	0.3	6.73	6.93	7.0 _{-0.05}
BFK470-10	0.2 ^{+0.13} / _{-0.05}	0.5	0.35	8.73	8.88	9.0 _{-0.1}
BFK470-12	0.3 ^{+0.08} / _{-0.10}	0.6	0.45	9.68	9.83	10.0 _{-0.1}
BFK470-14	0.3 ± 0.1	0.75	0.45	9.55	9.85	10.0 _{-0.1}
BFK470-16	0.3 ^{+0.15} / _{-0.05}	0.80	0.50	11.05	11.35	11.5 _{-0.1}
BFK470-18	0.4 ^{+0.20} / _{-0.10}	1.0	0.65	12.50	12.85	13.0 _{-0.1}

Tab. 2: Air gap / rotor thickness

Type	Outer diameter [mm]	Pitch circle		Fixing screws DIN EN ISO 4762		Minimum thread depth		Tightening torque M_a [Nm]
		∅ [mm]	Thread	without flange [mm]	with flange [mm]	without flange [mm]	with flange [mm]	
BFK470-06	89	72	M4	3 x M4x40	3 x M4x45	7.5	9.0	3.0
BFK470-08	106	90	M5	3 x M5x45	3 x M5x50	10.5	10.0	5.9
BFK470-10	130	112	M6	3 x M6x55	3 x M6x60	14.0	13.5	10.1
BFK470-12	148	132	M6	3 x M6x60	3 x M6x65	12.5	12.5	10.1
BFK470-14	168	145	M8	3 x M8x75	3 x M8x80	19.5	18.5	24.6
BFK470-16	200	170	M8	3 x M8x80	3 x M8x85	18.0	17.0	24.6
BFK470-18	226	196	M8	6 x M8x90	6 x M10x100	19.5	23.0	24.6

Tab. 3: Installation data

	 CAUTION
	<ul style="list-style-type: none"> ■ The minimum thread depth of the end shield must be maintained!  Tab. 3. ■ If the required thread depth is not maintained, the fixing screws may run onto the root. This has the effect that the required pre-load force is no longer established – the brake is no longer securely fastened! ■ The material of the end shield must have a tensile strength of $R_m \geq 250 \text{ N/mm}^2$.

3.3 Rated data (dimensioning data) electrical data

Type	Voltage U [V DC]	Rated current I _N [A]	Power P _N [W]	Coil resistance R _N ± 4% [Ω]
BFK470-06	205	0.098	20	2101.0
BFK470-08		0.122	25	1681.0
BFK470-10		0.161	33	1273.0
BFK470-12		0.195	40	1051.0
BFK470-14		0.307	60	667.1
BFK470-16		0.332	68	618.0
BFK470-18		0.415	85	494.4

Tab. 4: Coil data at 20°C

Type	Braking torques at relative speed of rotation Δn				
	Rated torque [Nm] 100 rpm	Braking torque X [%] of the rated torque			Maximum speed horizontal mounting position rpm
1500 rpm		3000 rpm	maximum		
BFK470-06	2.0 / 2.5 / 3.0 / 3.5 / 4.0 / 4.5 / 5.5 / 6.0 / 6.5 / 7.0 / 7.5	87	80	74	6000
BFK470-08	3.5 / 5 / 6 / 7 / 8 / 10 / 11 / 12 / 14 / 15	85	78	73	5000
BFK470-10	9 / 11 / 14 / 16 / 18 / 21 / 23 / 25 / 28 / 30 / 33 / 36	83	76		4000
BFK470-12	12 / 14 / 15 / 16 / 18 / 23 / 27 / 32 / 36 / 40 / 45 / 46 / 48 / 50 / 55	81	74	72	3600
BFK470-14	40 / 50 / 60 / 65 / 70 / 75 / 80 / 100 / 110	80	73		
BFK470-16	55 / 80 / 90 / 100 / 105 / 125 / 150	79	72		
BFK470-18	100 / 150 / 165 / 185 / 200 / 235 / 250	77	70		

Tab. 5: Rated torques

Switching times

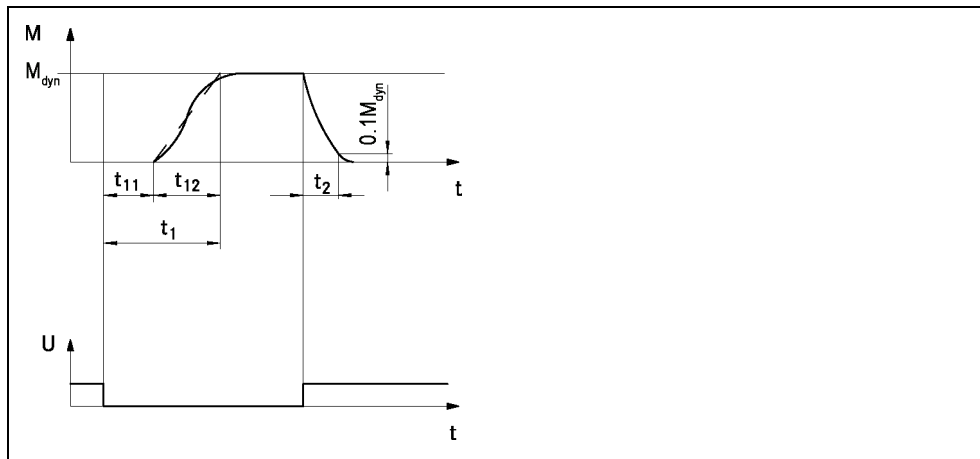


Abb. 2 Operating/switching times of the spring-applied brakes

- t_1 Engagement time
- t_2 Disengagement time (up to $M = 0.1 M_{dyn}$)
- M_{dyn} Rated torque
- t_{11} Reaction delay of engagement
- t_{12} Rise time of the braking torque
- U Voltage



Type	Rated torque M_K [Nm]	Max. perm. switching energy Q_E [J]	Transitional operating frequency S_{hue} [h ⁻¹]	Operating times [ms] ¹⁾ at s_{LN} and $0.7 I_N$			
				DC engagement ²⁾			Disengagement t_2
				t_{11}	t_{12}	t_1	
BFK470-06	4	3000	79	16	25	41	32
BFK470-08	8	7500	50	30	26	56	52
BFK470-10	16	12000	40	40	64	104	107
BFK470-12	32	24000	30	47	34	81	121
BFK470-14	60	30000	28	30	47	76	162
BFK470-16	80	36000	27	46	62	109	255
BFK470-18	150	60000	20	62	92	155	343

Tab. 6: Switching energy - operating frequency - operating times

- 1) Typical values
- 2) Measured with induced voltage limitation of -800 V DC

Engagement time

The transition from brake-torque free state to holding braking torque is not free of time lags.

- The engagement times are valid for DC switching with a spark suppressor.
 - Spark suppressors are available for the rated voltages.
 - Connect the spark suppressors in parallel to the contact. If this switching is not admissible for safety reasons (e.g. with hoists and lifts), the spark suppressor can also be connected in parallel to the brake coil.
 - Circuit proposals:  25
- The engagement times are approx. 10 times longer with AC switching.
 - Connection:  25

Disengagement time

The disengagement time is the same for DC and AC switching. The disengagement time can be shortened by special equipment for fast-response excitation or over-excitation.

3.4 Switching energy / operating frequency

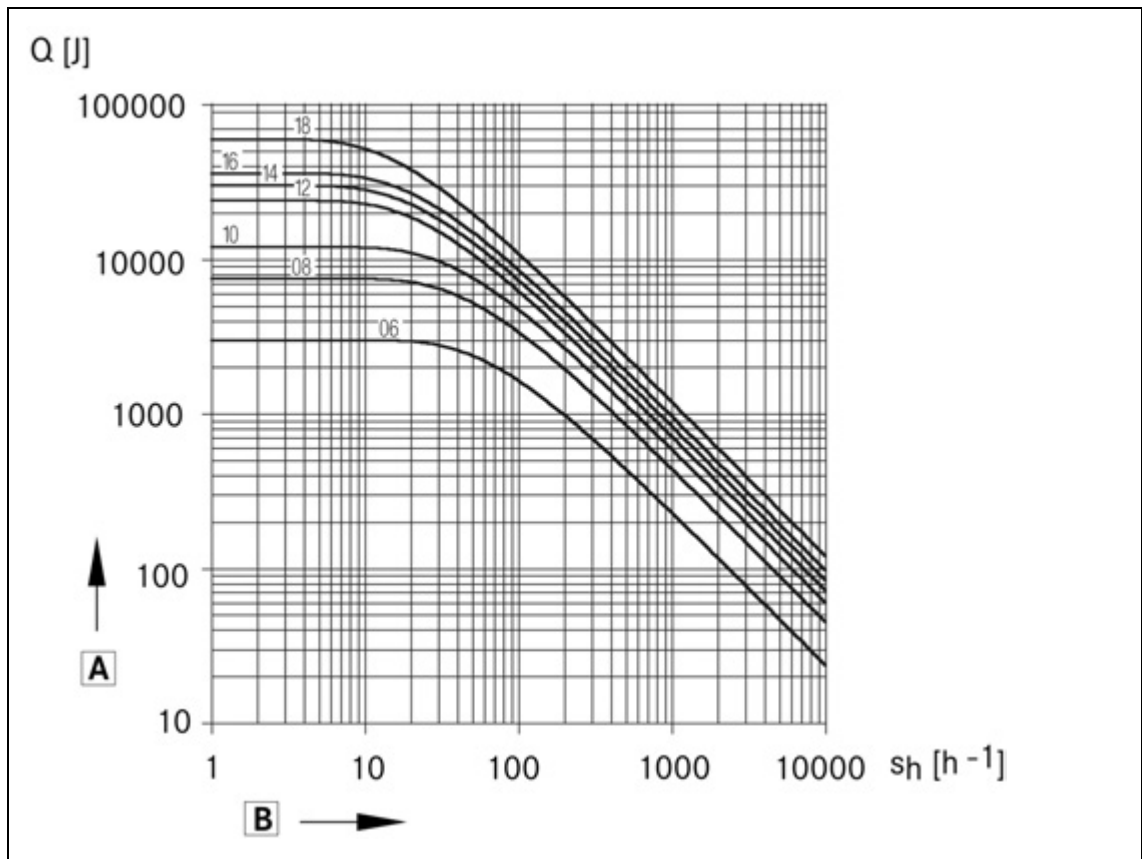


Abb. 3 Switching energy as a function of the operating frequency

 Switching energy

 Operating frequency

$$S_{hmax} = \frac{-S_{hue}}{\ln\left(1 - \frac{Q_R}{Q_E}\right)}$$

$$Q_{smax} = Q_E \left(1 - e^{-\frac{S_{hue}}{S_h}}\right)$$

The permissible operating frequency S_{hmax} depends on the amount of heat Q_R (refer to Figure 3). At a pre-set operating frequency S_h , the permissible amount of heat is Q_{smax} .

With high speeds of rotation and switching energy, the wear increases strongly, because very high temperatures occur at the friction surfaces for a short time.

3.5 Emissions

Electromagnetic compatibility



NOTICE

The user must ensure compliance with EMC Directive 2004/108/EC using appropriate controls and switching devices.

If an INTORQ rectifier is used for the DC switching of the spring-applied brake and if the switching frequency exceeds five switching operations per minute, the use of a mains filter is required.

If the spring-applied brake uses a rectifier of another manufacturer for the switching, it may become necessary to connect a spark suppressor in parallel with the AC voltage. Spark suppressors are available on request, depending on the coil voltage.

Heat

Since the brake converts kinetic energy as well as mechanical and electrical energy into heat, the surface temperature varies considerably, depending on the operating conditions and possible heat dissipation. Under unfavourable conditions, the surface temperature can reach 130 °C.

Noise

The switching noise during engagement and disengagement varies depending on the air gap, braking torque and brake size.

Depending on the natural oscillation after installation, operating conditions and state of the friction surfaces, the brake may squeak during braking.

Others

The abrasion of the friction parts produces dust.


4 Mechanical installation

4.1 Important notes

4.1.1 Design of end shield and motor shaft



- Comply with the mentioned minimum requirements regarding the end shield and the motor shaft to ensure a correct function of the brake.
- The diameter of the shaft shoulder must not be greater than the tooth root diameter of the hub.
- The form and position tolerances apply only to the materials mentioned. Contact INTORQ if you are using other materials.
- The brake flange must be supported by the end shield across the full surface.

Design of the end shield




Type	Minimum requirements: Use as counter friction surface					Miscellaneous
	Material	Evenness [mm]	Axial runout [mm]	Roughness		
				without flange	with flange	
BFK470-06	S235JR; C15; EN-GJL-250	≤ 0.03	0.05	Rz 10	Rz 16	<ul style="list-style-type: none"> ■ Threaded holes with minimum thread depth  15 ■ Free of grease and oil
BFK470-08						
BFK470-10						
BFK470-12						
BFK470-14		≤ 0.05				
BFK470-16		≤ 0.08				
BFK470-18		≤ 0.10	0.08			

Tab. 7: End shield as counter friction surface

4.1.2 Necessary tools

Type	Torque wrench  Measuring range [Nm]	Bit for hexagon socket screws  Wrench width [mm] *
BFK470-06	1 - 12	3
BFK470-08		4
BFK470-10		5
BFK470-12		
BFK470-14	20 - 100	6
BFK470-16		
BFK470-18		

* For attaching flange inner bit with pin guide


Multimeter	Caliper gauge	Feeler gauge
		

4.2 Assembly

4.2.1 Preparation

1. Unpack the spring-applied brake.
2. Check for completeness.
3. Verify the nameplate data (especially the rated voltage).

4.2.2 Brake assembly

	NOTICE
	The toothed hub and screws must not be lubricated with grease or oil.

Installation of the hub onto the shaft



NOTICE

The customer is responsible for constructing the shaft-hub connection. Make sure that the bearing length of the key is identical to the length of the hub.



NOTICE

Check the tensile strength of the hub material: When operating with high torque, consult with INTORQ and use a steel hub with a higher tensile strength.

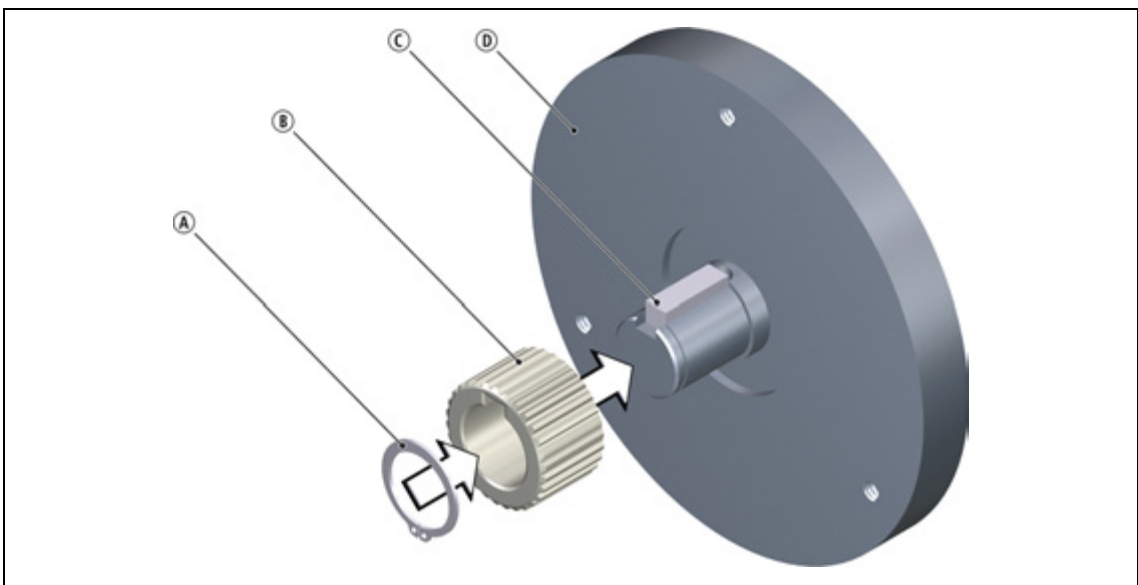



Abb. 4 Installing the hub onto the shaft

- | | | |
|--------------|-------|----------|
| A Circlip | B Hub | C Keyway |
| D End shield | | |

1. Press the hub with a moderate amount of force to the shaft.

Secure the hub against axial displacement (for example, by using a circlip).

	NOTICE
	If you are using the spring-applied brake for reverse operations, glue the hub to the shaft.

Mounting the flange

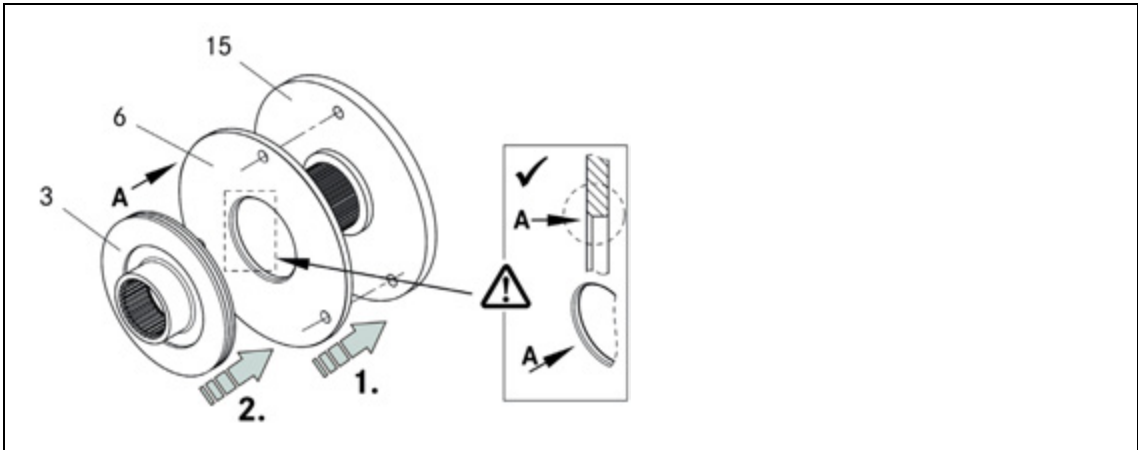


Abb. 5 Flange and rotor mounting

1. If required, slide the optional flange (6) onto the shaft.
 - The chamfer on the flange must point towards the brake!
 - Align the through holes of the flange (6) with the fixing holes in the end shield (15).

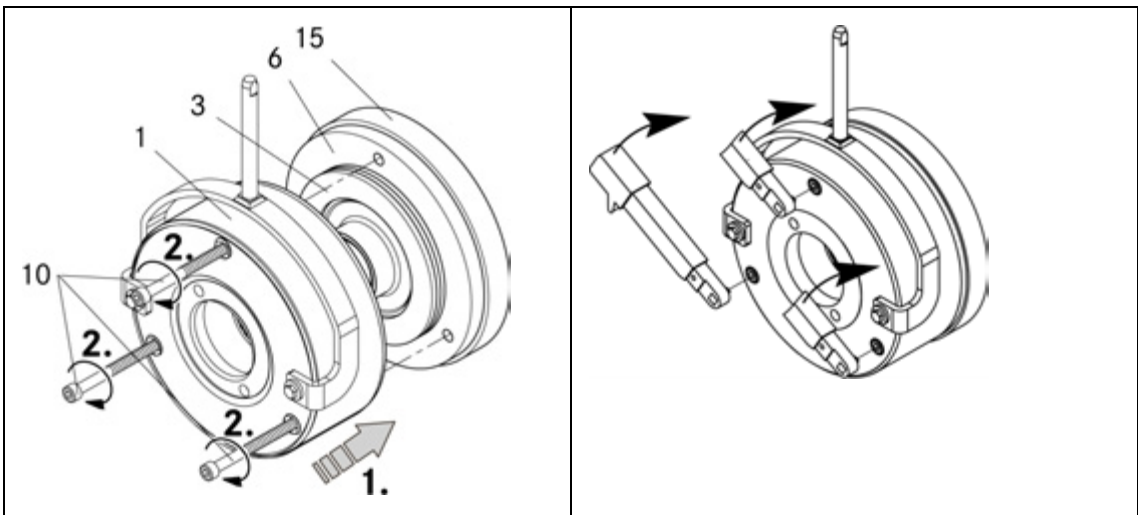



Abb. 6 Mounting the brake

- | | | |
|---------|---------------------------|---------------|
| 1 Brake | 6 Flange | 15 End shield |
| 3 Rotor | 10 Socket head cap screws | |


	NOTICE
	<p>When using a shaft seal, the brake has to be mounted so that it is centred properly! The shaft diameter must be implemented in accordance with ISO tolerance h11, with a radial eccentricity tolerance according to IT8 and an averaged surface roughness of $Rz \leq 3.2 \mu\text{m}$ in the sealing area.</p>



NOTICE

Please note the following for the version "brake with shaft sealing ring":

- Lightly lubricate the lip of the shaft seal with grease.
- No grease should be allowed to contact the friction surfaces.
- When assembling the stator, push the shaft sealing ring carefully over the shaft. The shaft should be located concentrically to the shaft seal.

2. Slide the brake onto the shaft.
 - Align supplied socket head cap screws (10) with fixing holes in the end shield (15).
3. Use a torque key to tighten the socket head cap screws (10) with the required tightening torque,  15.



NOTICE

The customer must seal the brake in this position himself if **no** shaft seal or cover is in use.






NOTICE

If it is necessary to loosen the screws with the seal again, the seals or the complete screw set must be replaced.

5 Electrical installation


5.1 Important notes

	 DANGER
	<p>There is a risk of injury by electrical shock!</p> <ul style="list-style-type: none"> ■ Electrical connection must only be carried out by skilled personnel! ■ Only carry out connection work when no voltage is applied (no live parts)! There is a risk of unintended start-ups or electric shock.

	NOTICE
	<ul style="list-style-type: none"> ■ It must be ensured that the supply voltage corresponds to the name plate data.

5.2 Electrical connection

Circuit suggestions

	NOTICE
	<p>The terminal pin sequence shown here does not match the actual order.</p>

AC switching at the motor – extremely delayed engagement

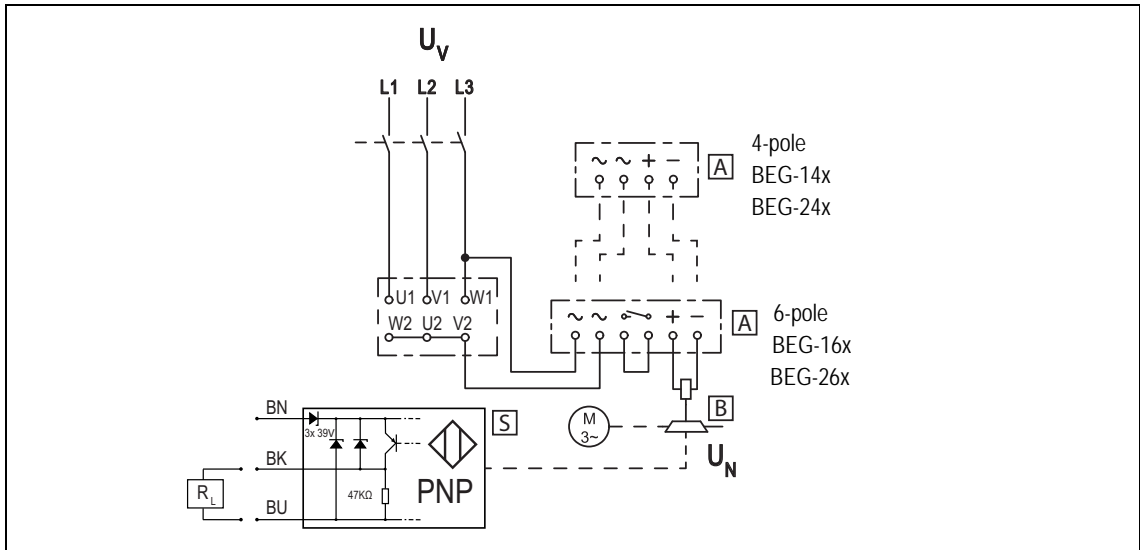


Abb. 7 Supply: Phase-neutral

A Bridge rectifiers

$$\text{BEG-1xx: } U_N [\text{VDC}] = 0.9 \cdot \frac{U_V}{\sqrt{3}} [\text{VAC}]$$

B Brake

A Half-wave rectifiers

$$\text{BEG-2xx: } U_N [\text{VDC}] = 0.45 \cdot \frac{U_V}{\sqrt{3}} [\text{VAC}]$$

S Inductive proximity sensor

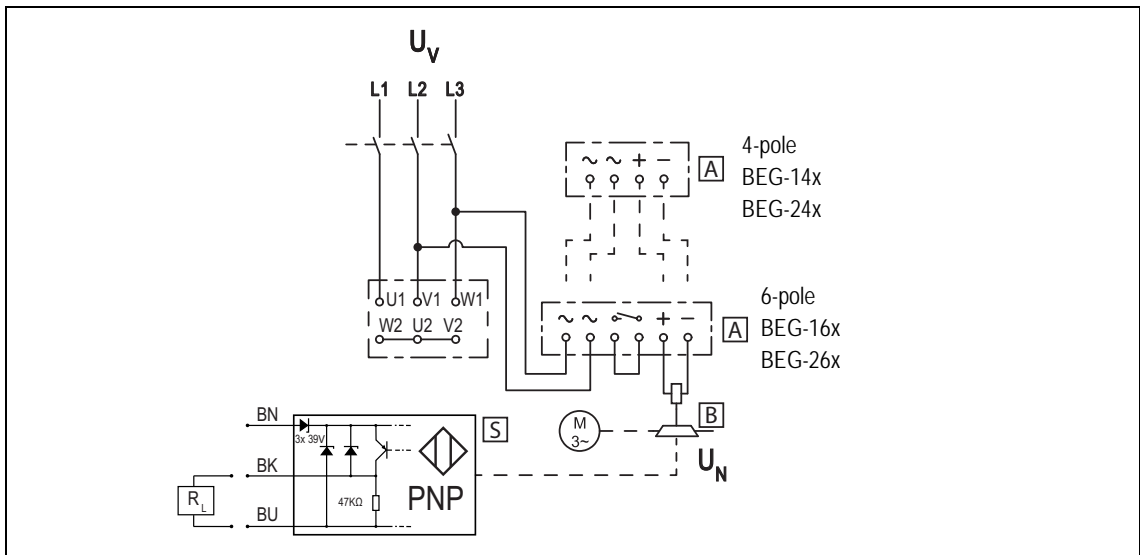


Abb. 8 Supply: Phase-phase

A Bridge rectifier ¹⁾

$$\text{BEG-1xx: } U_N [\text{VDC}] = 0.9 \cdot U_V [\text{VAC}]$$

B Brake

A Half-wave rectifiers

$$\text{BEG-2xx: } U_N [\text{VDC}] = 0.45 \cdot U_V [\text{VAC}]$$

S Inductive proximity sensor

¹⁾ Not recommended for most regional/national high-voltage mains systems

DC switching at the motor – fast engagement

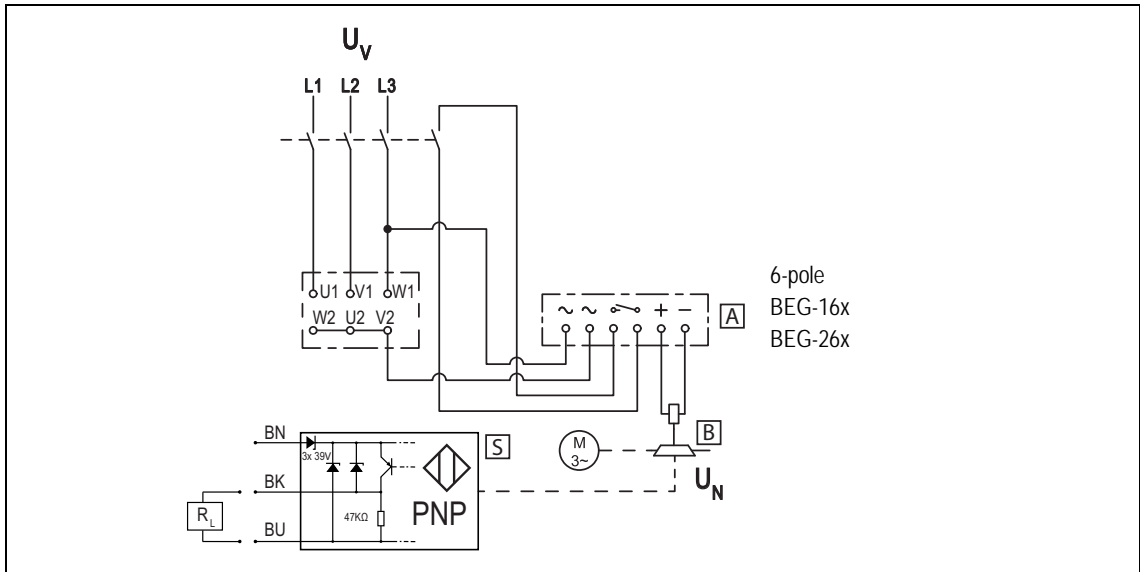


Abb. 9 Supply: Phase-neutral

A Bridge rectifiers

$$\text{BEG-1xx: } U_N [\text{VDC}] = 0.9 \cdot \frac{U_V}{\sqrt{3}} [\text{VAC}]$$

A Half-wave rectifiers

$$\text{BEG-2xx: } U_N [\text{VDC}] = 0.45 \cdot \frac{U_V}{\sqrt{3}} [\text{VAC}]$$

B Brake

S Inductive proximity sensor

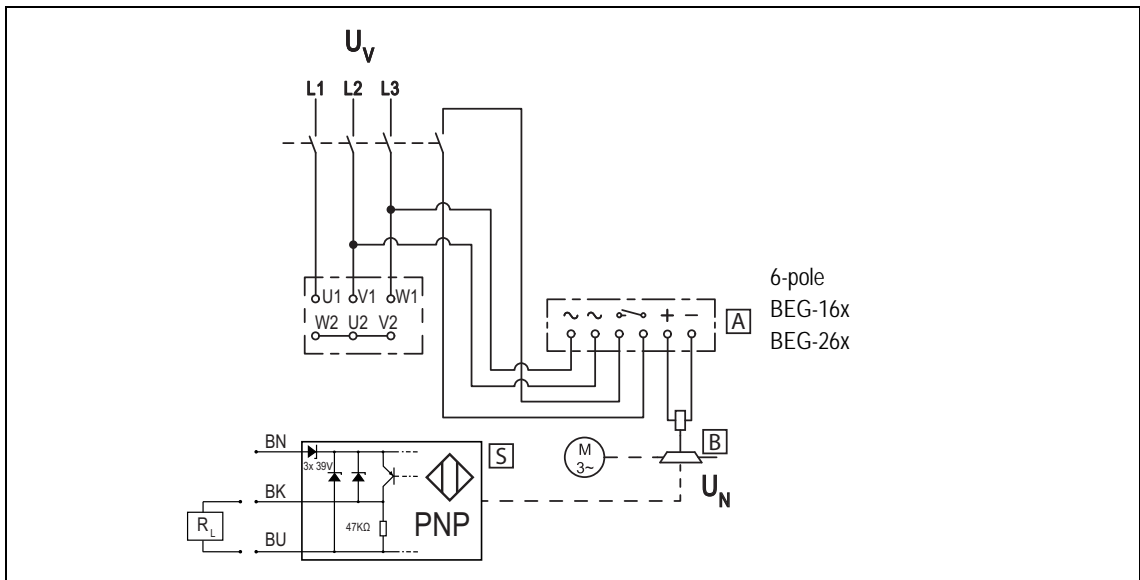


Abb. 10 Supply: Phase-phase

A Bridge rectifier ¹⁾

$$\text{BEG-1xx: } U_N [\text{VDC}] = 0.9 \cdot U_V [\text{VAC}]$$

A Half-wave rectifiers

$$\text{BEG-2xx: } U_N [\text{VDC}] = 0.45 \cdot U_V [\text{VAC}]$$

B Brake

S Inductive proximity sensor

¹⁾ Not recommended for most regional/national high-voltage mains systems

AC switching at mains – delayed engagement

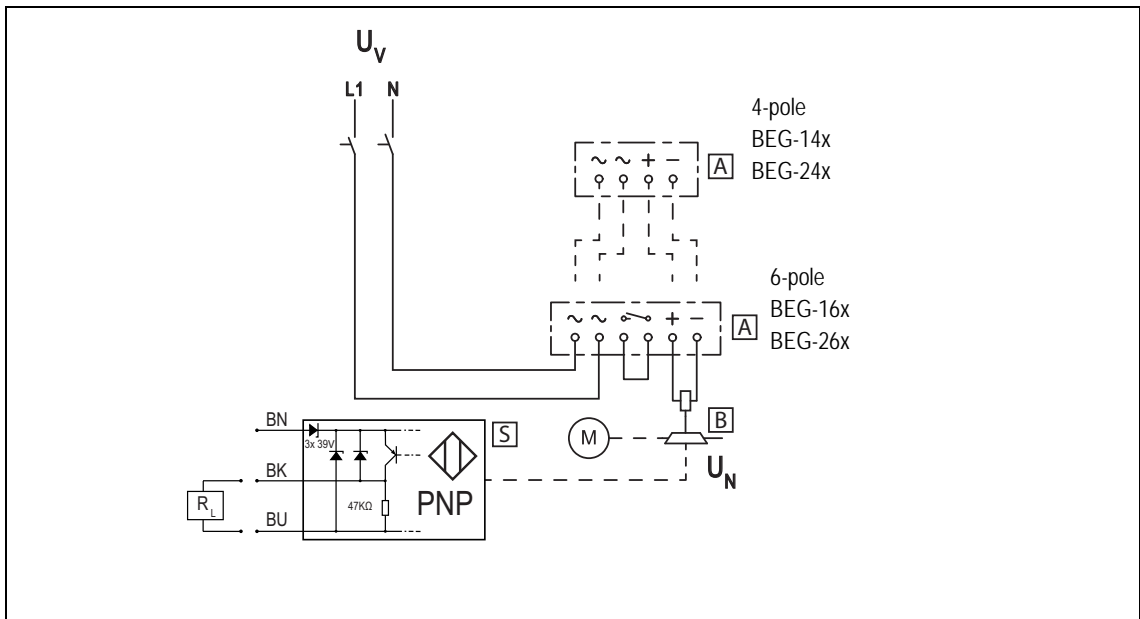


Abb. 11 Supply: Phase-N

- | | |
|---|---|
| A Bridge rectifiers
BEG-1xx: U_N [VDC]= $0.9 \cdot U_V$ [VAC] | A Half-wave rectifiers
BEG-2xx: U_N [VDC]= $0.45 \cdot U_V$ [VAC] |
| B Brake | S Inductive proximity sensor |

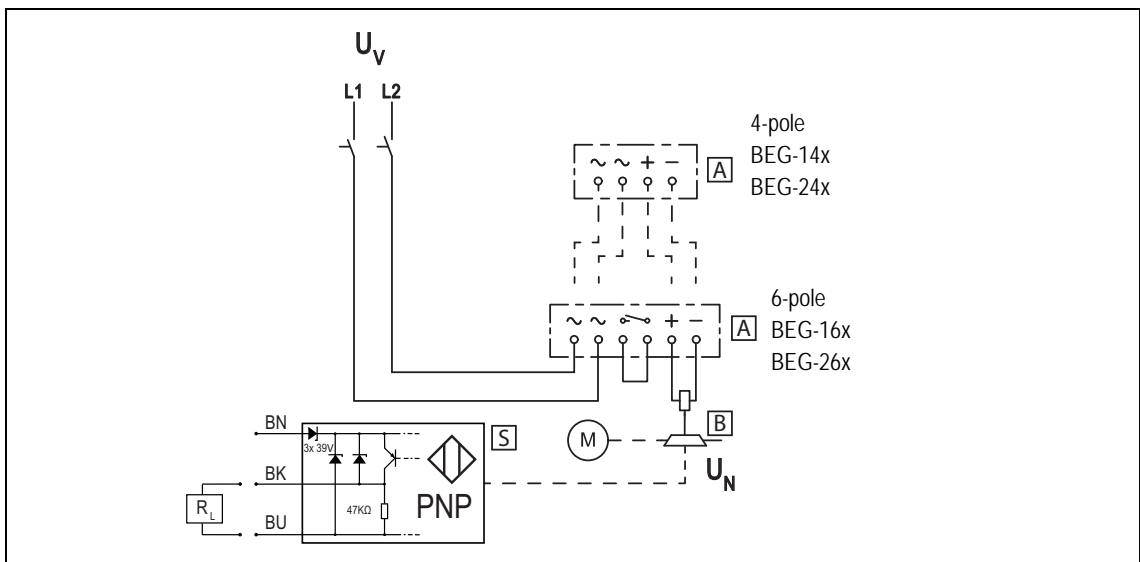


Abb. 12 Supply: Phase-phase

- | | |
|--|---|
| A Bridge rectifier ¹⁾
BEG-1xx: U_N [VDC]= $0.9 \cdot U_V$ [VAC] | A Half-wave rectifiers
BEG-2xx: U_N [VDC]= $0.45 \cdot U_V$ [VAC] |
| B Brake | S Inductive proximity sensor |

¹⁾ Not recommended for most regional/national high-voltage mains systems

DC switching at mains – fast engagement

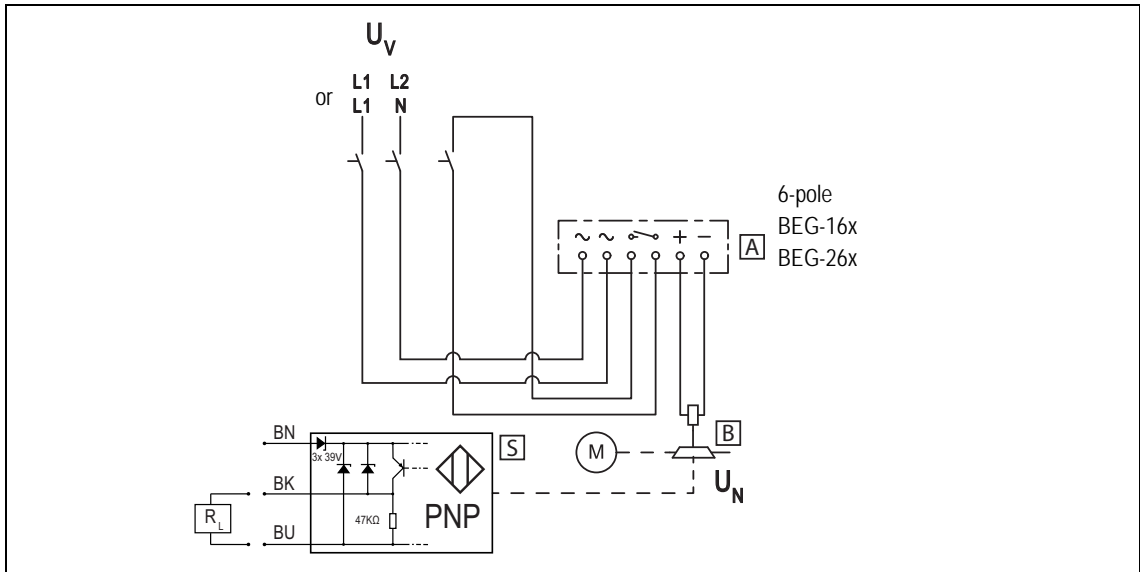


Abb. 13 Supply: Phase-phase or phase-N via 6-pole rectifier

- | | |
|---|--|
| A Bridge rectifier ¹⁾
BEG-16x: $U_N [VDC]=0.9 \cdot U_V [VAC]$ | A Half-wave rectifiers
BEG-26x: $U_N [VDC]=0.45 \cdot U_V [VAC]$ |
| B Brake | S Inductive proximity sensor |

¹⁾ For most regional/national high-voltage mains systems, this only makes sense for supplies on L1 and N.

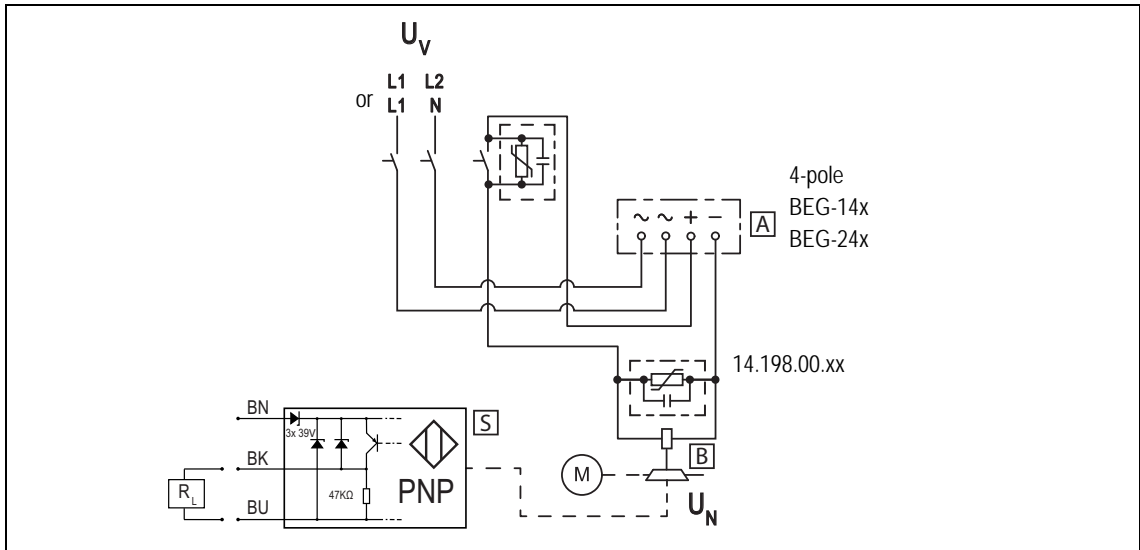


Abb. 14 Supply: Phase-phase or phase-N via 4-pole rectifier

- | | |
|---|--|
| A Bridge rectifier ¹⁾
BEG-14x: $U_N [VDC]=0.9 \cdot U_V [VAC]$ | A Half-wave rectifiers
BEG-24x: $U_N [VDC]=0.45 \cdot U_V [VAC]$ |
| B Brake | S Inductive proximity sensor |

Spark suppressor
14.198.00.xx (required once, select position)

¹⁾ For most regional/national high-voltage mains systems, this only makes sense for supplies on L1 and N.

5.3 Technical data for inductive proximity sensors

5.3.1 Proximity sensor for release check

Design	PNP, N/O contact
Operating voltage	10 to 30 VDC
Permitted residual ripple	20% U_B
No-load current	Max. 10 mA
Output current	Max. 200 mA
Voltage drop at outputs	Max. 2.0 V at 200 mA
Short circuit protection	integrated
Reverse polarity protection	integrated
Induction protection	integrated
Protection class	IP67
Cable configuration and parameters	
Cable (diameter / length / AWG)	Ø 3.3 mm / L = 2 m / AWG 26
Maximum cable length	100 m
Grey	Colour of sheath insulation
Brown (BN)	+ U_B
Black (BK)	Signal (with released armature plate - brake energized)
Blue (BU)	- U_B
Operating conditions	
Ambient temperature range T_A	from -40 °C to +120 °C (no component damage) from -25 °C to +120 °C (information analysis)
Shock and vibration	IEC 60947-5-2 / 7.4
EMC protection	
IEC 60947-5-2 (7.2.3.1)	1 kV
IEC 61000-4-2	Level 2
IEC 61000-4-3	Level 3
IEC 61000-4-4	Level 2

Tab. 8: Technical data for inductive proximity sensors (release check)

5.4 Minimum bend radius for the brake connection line

Brake size	Wire cross-section	Minimum bendradius [mm]
06	AWG 20	28
08		
10		
12		
14		
16	AWG 16	46
18		

Tab. 9: Minimum bend radius for the brake connection line

5.5 Bridge/half-wave rectifier (optional)

BEG-561-□□□-□□□

The bridge-half-wave rectifiers are used to supply electromagnetic DC spring-applied brakes which are approved for the use with such rectifiers. Other use is only permitted with the approval of INTORQ.

Once a set over-excitation time has elapsed, the bridge-half-wave rectifiers switch over from bridge rectification to half-wave rectification.

Terminals 3 and 4 are located in the DC circuit of the brake. The induction voltage peak for DC switching (see "DC switching - fast engagement" circuit diagram) is limited by an integrated overvoltage protection at terminals 5 and 6.

5.5.1 Assignment: Bridge/half-wave rectifier – brake size

Rectifier type	Supply voltage [V AC]	Over-excitation		Holding current reduction	
		Coil voltage [V DC]	Size	Coil voltage [V DC]	Size
BEG-561-255-030	230	103	06 – 18	205	06 – 12
BEG-561-255-130			–		14 – 18
BEG-561-440-030-1	400	180	06 – 18	–	–

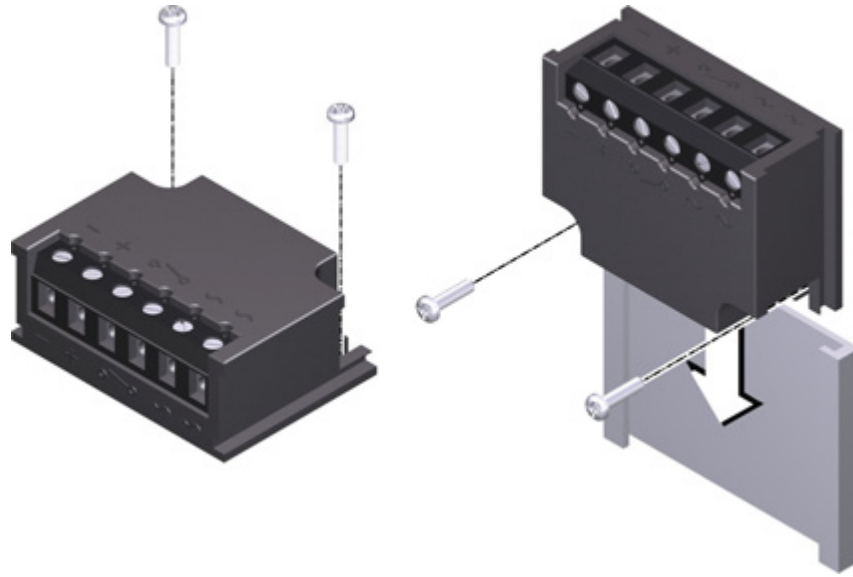


Abb. 15 BEG-561 attachment options

5.5.2 Technical specifications

Rectifier type	Bridge / half-wave rectifier
Output voltage for bridge rectification	$0.9 \times U_1$
Output voltage for half-wave rectification	$0.45 \times U_1$
Ambient temperature (storage/operation) [°C]	-25 – +70

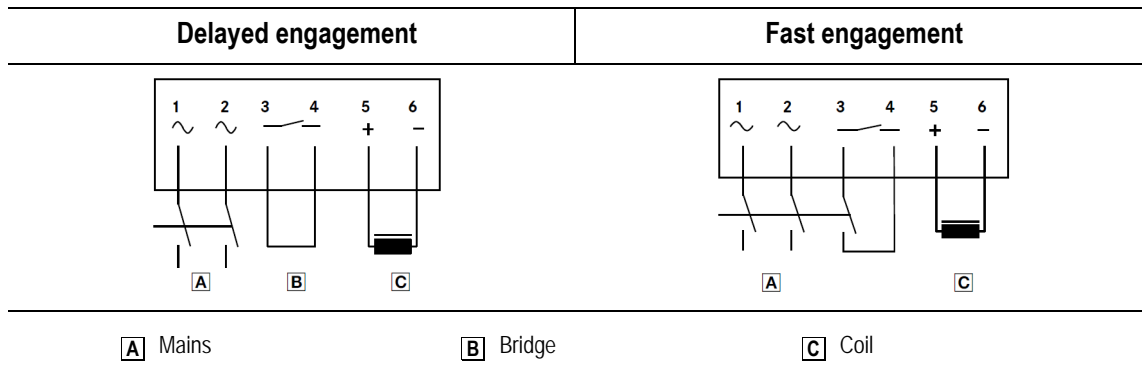
Type	Input voltage U_1 (40 Hz – 60 Hz)			Max. current I_{max}		Over-excitation time t_{ue} ($\pm 20\%$)		
	Min. [V ~]	Rated [V ~]	max. [V ~]	Bridge [A]	half-wave [A]	at U_{1min} [s]	at U_{1Nom} [s]	at U_{1max} [s]
BEG-561-255-030	160	230	255	3.0	1.5	0.430	0.300	0.270
BEG-561-255-130						1,870	1,300	1,170
BEG-561-440-030-1	230	400	440	1.5	0.75	0.500	0.300	0.270

Tab. 10: Data for bridge/half-wave rectifier type BEG-561

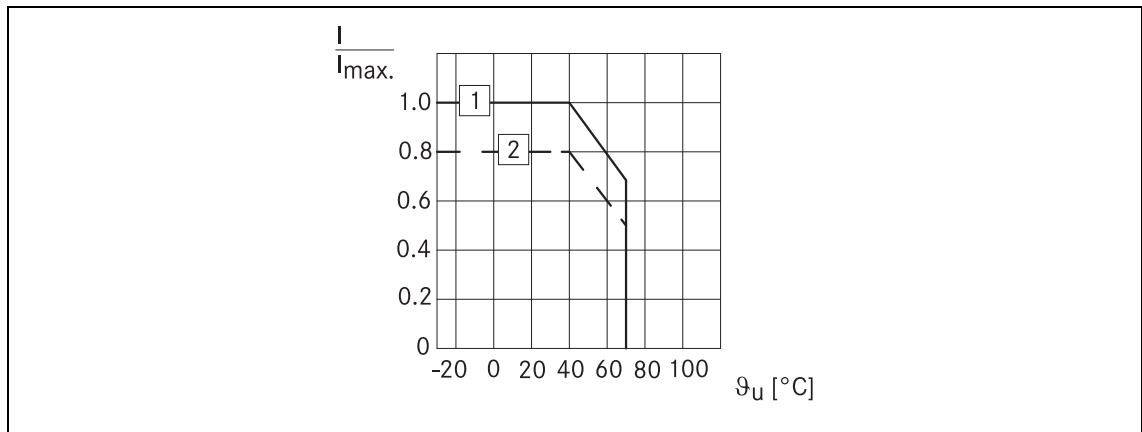
U_1 input voltage (40 – 60 Hz)

5.5.3 Reduced switch-off times

AC switching must also be carried out for DC switching (fast engagement)! Otherwise, there will be no over-excitation when it is switched back on.





5.5.4 Permissible current load at ambient temperature







- 1 For screw assembly with metal surface (good heat dissipation)
- 2 For other assembly (e.g. adhesive)

6 Commissioning and operation

6.1 Important notes

	 DANGER
	<p>There is a risk of injury by electrical shock!</p> <ul style="list-style-type: none"> ■ Electrical connection must only be carried out by skilled personnel! ■ Only carry out connection work when no voltage is applied (no live parts)! There is a risk of unintended start-ups or electric shock.

	 DANGER
	<p>Danger: rotating parts!</p> <p>The brake must be free of residual torque. The drive must not be running when checking the brake.</p>

	 CAUTION
	Danger: hot surfaces. Do not touch!

- The brake is designed for operation under the environmental conditions that apply to IP66 protection. Because of the numerous possibilities of using the brake, it is however necessary to check the functionality of all mechanical components under the corresponding operating conditions.



NOTICE

Functionality for different operating conditions

- The brakes are dimensioned in such a way that the given rated torques are reached safely after a short run-in process.
- However, as the organic friction linings used do not all have identical properties and because environmental conditions can vary, deviations from the specified braking torques are possible. These must be taken into account in the form of appropriate dimensioning tolerances. Increased breakaway torque is common, in particular after long downtimes in humid environments where temperatures vary.





NOTICE


Operation without dynamic loads (functioning as a pure holding brake)

- If the brake is used as a pure holding brake without dynamic load, the friction lining must be reactivated regularly.

6.2 Function checks before commissioning

1. The switching contact for the brake must be open.
2. Remove two bridges from the motor terminals to deenergize the motor.
 - Do **not** disconnect the supply voltage for the brake.



	 DANGER
	<p>There is a risk of electric shock!</p> <p>If the rectifier is connected to the neutral point of the motor, the neutral conductor must also be connected to this point.</p>



3. Apply DC voltage to the brake.
4. Measure the AC voltage at the motor terminals. The measured level must be zero.
5. Close the switching contact for the brake.
 - The brake is released.
6. Measure the DC voltage at the brake.
 - Compare the DC voltage with the voltage indicated on the name plate. A deviation of 10 % is permissible.
 - If the measured value deviates:  45
7. Open the switching contact for the brake.
 - The brake is applied.
8. Switch off DC voltage for the brake.
9. Screw the bridges onto the motor terminals.
10. If necessary, remove the neutral conductor from the neutral point (step 2).

The preparations for commissioning are completed.

If faults occur, refer to the the error search table,  44. If the fault cannot be fixed or eliminated, please contact your customer service.

6.3 Brake with proximity sensor

	 DANGER
	<p>There is a risk of injury by electrical shock!</p> <ul style="list-style-type: none"> ■ Electrical connection must only be carried out by skilled personnel! ■ Only carry out connection work when no voltage is applied (no live parts)! There is a risk of unintended start-ups or electric shock.

	 WARNING
	<p>Danger: rotating parts!</p> <p>The brake must be free of residual torque. The motor must not run!</p>

1. The switching contact for the brake must be open.
2. Remove two bridges from the motor terminals to deenergize the motor.
 - Do not switch off the voltage supply to the brake.
 - When connecting the rectifier to the neutral point of the motor, the PE conductor must also be connected to this point.
3. Apply DC voltage to the brake.
4. Measure the AC voltage at the motor terminals. The measured level must be zero.
5. Close the switching contact for the brake.
 - The brake is released.
6. Measure the DC voltage at the brake:
 - Compare the DC voltage with the voltage indicated on the name plate. A deviation of $\pm 10\%$ is permissible.
7. Check the air gap "s_L".
 - It must be zero and the rotor must rotate freely.
8. Check the switching status of the proximity sensor (refer to Table 11).
9. Open the switching contact for the brake.
 - The brake is applied.
10. Check the switching status of the proximity sensor (refer to Table 11).
11. Switch off DC voltage for the brake.
12. Screw the bridges onto the motor terminals. Remove additional PE conductor, if necessary.


Contact type	Connection	Brake released	Proximity sensor is closed
N/O contact	black / blue	no	no

Tab. 11: Switching status of the proximity sensor

6.4 Commissioning

1. Switch on drive system.
2. Carry out a braking test.

6.5 During operation

- Checks must be carried out regularly. Pay special attention to:
 - unusual noises or temperatures
 - loose fixing elements
 - the condition of the electrical cables
 - The armature plate must be attracted and the rotor must move without residual torque.
- Measure the DC voltage at the brake.
 - Compare the DC voltage with the voltage indicated on the name plate. A deviation of 10 % is permissible.
- If faults occur, refer to the the error search table,  44. If the fault cannot be fixed or eliminated, please contact your customer service.

7 Maintenance and repair

7.1 Wear of spring-applied brakes

The table below shows the different causes of wear and their impact on the components of the spring-applied brake. The influential factors must be quantified so that the service life of the rotor and brake can be calculated and so that the prescribed maintenance intervals can be specified accurately. The most important factors in this context are the applied friction energy, the initial speed of rotation of braking and the operating frequency. If several of the causes of friction lining wear occur in an application at the same time, the influencing factors should be added together when the amount of wear is calculated.


Component	Cause	Effect	Influencing factors
Friction lining	Braking during operation	Wear of friction lining	Friction work
	Emergency stops		
	Overlapping wear during start and stop of drive		
	Active braking via the drive motor with support of brake (quick stop)		
	Starting wear in case of motor mounting position with vertical shaft, even when the brake is not applied		Number of start/stop cycles
Armature plate and counter friction face	Rubbing of brake lining	Run-in of armature plate and counter friction face	Friction work
Gear teeth of brake rotor	Relative movements and shocks between brake rotor and brake shaft	Wear of gear teeth (primarily on the rotor side)	Number of start/stop cycles
Brake support	Changing load cycles and shocks in backlash on reversal between armature plate and cylinder pin	Play of armature plate and cylinder pin	Number of start/stop cycles, braking torque
Springs	Axial load cycle and shear stress of springs through radial backlash on reversal of armature plate	Reduced spring force or fatigue failure	Number of switching operations of brake

Tab. 12: Causes for wear

7.2 Inspections



7.2.1 Important notes

To ensure safe and trouble-free operations, the spring-applied brakes must be checked at regular intervals and, if necessary, be replaced. Servicing will be easier at the plant if the brakes are made accessible. This must be considered when installing the drives in the plant.

Primarily, the required maintenance intervals for industrial brakes result from their load during operation. When calculating the maintenance interval, all causes for wear must be taken into account,  38. For brakes with low loads (such as holding brakes with emergency stop function), we recommend a regular inspection at a fixed time interval. To reduce costs, the inspection can be carried out along with other regular maintenance work in the plant.

Failures, production losses or damage to the system may occur when the brakes are not serviced. Therefore, a maintenance strategy that is adapted to the particular operating conditions and brake loads must be defined for every application. For the spring-applied brakes, the maintenance intervals and maintenance operations listed in the table below must be followed. The maintenance operations must be carried out as described in the detailed descriptions.

7.2.2 Maintenance intervals

Time interval	for operating brakes:	for holding brakes with emergency stop:
	<ul style="list-style-type: none"> ■ according to service life calculation ■ or else every six months ■ after 4000 operating hours at the latest 	<ul style="list-style-type: none"> ■ at least every 2 years ■ after 1 million cycles at the latest ■ plan shorter intervals for frequent emergency stops
Inspections with assembled brake	<ul style="list-style-type: none"> ■ Check release function and control 	 42
Inspections after removing the brake	<ul style="list-style-type: none"> ■ Check rotor ■ Check hub ■ Check armature plate and counter friction face 	 40

7.3 Maintenance



NOTICE

Brakes with defective armature plates, springs or flanges must be completely replaced. Observe the following for inspections and maintenance works:

- Contamination by oils and greases should be removed using brake cleaner, or the brake should be replaced after determining the cause. Dirt and particles in the air gap between the stator and the armature plate endanger the function and should be removed.
- After replacing the rotor, the original braking torque will not be reached until the run-in operation for the friction surfaces has been completed. After replacing the rotor, the run-in armature plates and the flanges have an increased initial rate of wear.

7.3.1 Check the brake

1. Air gap control (only for sizes 12 to 18):
 - Do not energise the brake when checking the air gap.
 - When checking the air gap s_L , the plug (item 1.3 in Figure 1) must be levered out manually. Sharp-edged tools will destroy the plug!
 - Use a feeler gauge to determine the actual air gap. It can then be compared to the max. permissible air gap s_{Lmax} . 14.

At $s_L < s_{Lmax}$, the brake remains operational.



	NOTICE
	After the procedure, the plug (item 1.3) must be pushed in straight so that it is firmly inserted. Make sure that the plug does not become tilted.



If further tests are required, the brake must be disassembled 41 (only for sizes 6-18).

	DANGER
	Switch off the voltage. The brake must have no load torque on it when it is being dismantled.

	DANGER
	There is a risk of injury by electrical shock! Live connections must not be touched.

	WARNING
	Danger: rotating parts! The brake must be free of residual torque. The motor must not run!

	 CAUTION
	Danger: hot surfaces. Do not touch!

1. Dismantling the brake,  41.
2. Check rotor: Rotor thickness
 - Measure the rotor thickness using a caliper gauge.
 - Compare the measured rotor thickness with the minimally permissible rotor thickness,  14.
 - If necessary, exchange the rotor.
 - Check the gear teeth of the rotor.
 - If the gear teeth are damaged, replace the rotor.

7.3.2 Dismantling the brake

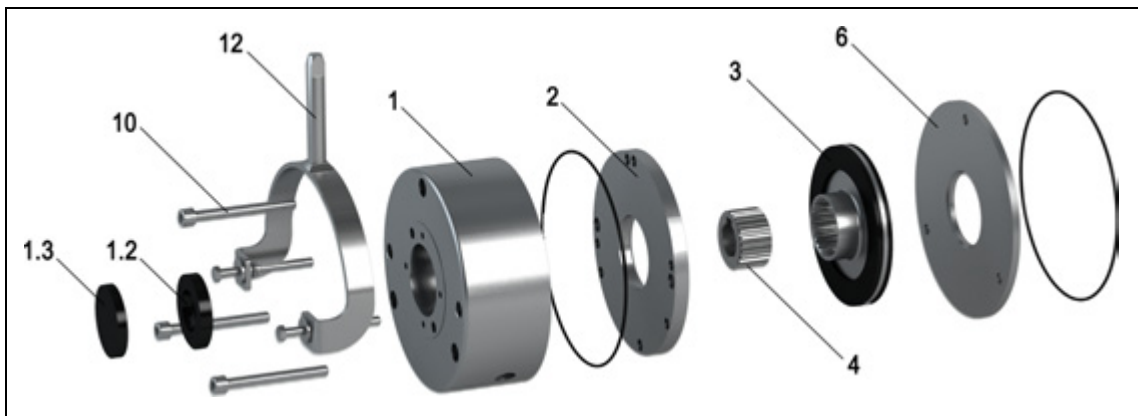







Abb. 16 Dismantling the brake

1 Stator	1.2 Shaft seal	1.3 Plug
2 Armature plate	3 Rotor	4 Hub
6 Flange	10 Socket head cap screws	12 Complete manual release
15 End shield		

1. Disconnect the connection cable.
2. Loosen the socket head cap screws (10) and remove them.
3. Detach stator (1) from the shaft.
4. Detach rotor (3) from the hub.
5. Check hub: Gear teeth
 - Check the gear teeth of the hub.
 - If the gear teeth are damaged, dismount and replace the hub.
6. Check armature plate: Thermal damage
 - In the case of thermal damage (dark blue tarnishing), replace the stator.

7. Check counter friction face:
 - A Flange
 - Maximum run-in depth = 30 % of rated air gap  13.
 - In the case of strong scoring, replace the flange.
 - In the case of thermal damage (dark blue tarnishing), replace the flange.
 - B End shield
 - Maximum run-in depth = 30 % of rated air gap  13.
 - In case of strong scoring, reprocess the end shield  20.
8. Assemble the brake,  22.
9. Connect the supply cable.
10. Recommission the brake,  34.

**NOTICE**

After replacing the rotor, the original braking torque will not be reached until the run-in operation for the friction surfaces has been completed. After replacing the rotor, the run-in armature plates and the flanges have an increased initial rate of wear.

7.3.3 Release / voltage

1. Observe the brake functionality while the drive is operating. The armature plate must be attracted and the rotor must move without residual torque.
2. Measure the DC voltage at the brake.
 - Compare the DC voltage with the voltage indicated on the name plate. A deviation of 10 % is permissible.

7.4 Spare-parts list

Spring-applied brake INTORQ BFK470-06 to 18

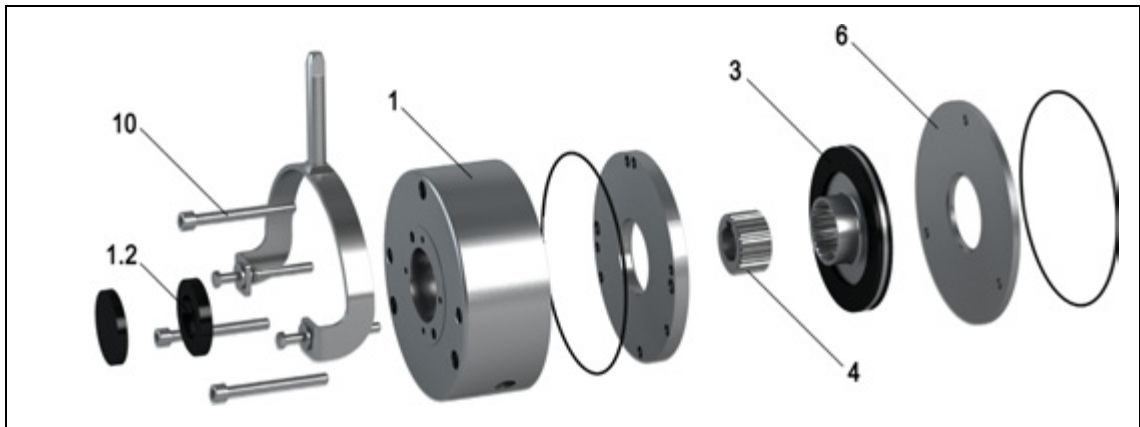


Abb. 17 Spring-applied brake BFK470

_____ material number of the brake (PLEASE INCLUDE: refer to the nameplate)!

Only parts with item numbers are available.

Item	Designation	Variant
1.2	Shaft sealing ring	Shaft diameter
3	Complete rotor	
4	Hub	Bore diameter
6	Complete flange (incl. O-ring)	
10	Fixing screws with sealing rings Socket head cap screw set, DIN EN ISO 4762	for mounting to the motor for flange with through hole

7.5 Electrical accessories




Rectifier

Refer to the Operating Instructions "Electrical switching devices and accessories", on page 15.

8 Troubleshooting and fault elimination

If any malfunctions should occur during operations, please check for possible causes based on the following table. If the fault cannot be fixed or eliminated by one of the listed measures, please contact the customer service.

Brake malfunctioning

Fault	Cause	Remedy
Brake does not release	Coil interruption	<ul style="list-style-type: none"> ■ Measure coil resistance using a multimeter: <ul style="list-style-type: none"> - If resistance is too high, replace the complete stator.
	Coil has contact to earth or between windings	<ul style="list-style-type: none"> ■ Measure coil resistance with multimeter: <ul style="list-style-type: none"> - Compare measured value with rated resistance. - Values:  16 - If resistance is too low, replace the complete stator. ■ Check coil for short circuit to ground using a multimeter: <ul style="list-style-type: none"> - Replace the complete stator if short circuit to ground is detected. ■ Check brake voltage (refer to "defective rectifier, voltage too low").
	Wiring defective or wrong	<ul style="list-style-type: none"> ■ Check and correct <ul style="list-style-type: none"> - Check cable for continuity using a multimeter: ■ Replace the complete stator if a cable is defective.
	Defective or incorrect rectifier	<ul style="list-style-type: none"> ■ Measure rectifier DC voltage using a multimeter. If DC voltage is zero: <ul style="list-style-type: none"> ■ Check AC rectifier voltage. If AC voltage is zero: <ul style="list-style-type: none"> - Switch on power supply - Check fuse - Check wiring. If AC voltage is okay: <ul style="list-style-type: none"> - Check rectifier, - Replace defective rectifier If DC voltage is too low: <ul style="list-style-type: none"> - Check rectifier, - Diode defective - install an appropriate undamaged rectifier. ■ Check coil for inter-turn fault or short circuit to ground. ■ If the rectifier defect occurs again, replace the entire stator, even if you cannot find any fault between turns or short circuit to ground. The fault may occur later during heating-up.
	Air gap too large	Replace rotor  41
	Rotor thickness too small	Replace rotor  41

Deviations in measured values

Measured value	Cause	Remedy
Voltage too high	Brake voltage does not match the rectifier	Adjust rectifier and brake voltage to each other.
Voltage too low	Brake voltage does not match the rectifier	Adjust rectifier and brake voltage to each other.
	Defective rectifier diode	Replace defective rectifier by a suitable undamaged one.
AC voltage is not mains voltage	Fuse is missing or defective	Install fuse. Exchange fuse.

Notes

 INTORQ GmbH & Co KG
Germany
PO Box 1103
D-31849 Aerzen, Germany
Wülmsers Weg 5
D-31855 Aerzen, Germany
 +49 5154 70534-444
 +49 5154 70534-200
 info@intorq.com

 应拓柯制动器（上海）有限责任公司
INTORQ (Shanghai) Co., Ltd.
上海市浦东新区泥城镇新元南路 600 号
6 号楼一楼 B 座
No. 600, Xin Yuan Nan Road,
Building No. 6 / Zone B
Nicheng town, Pudong
201306 Shanghai, China
 +86 21 20363-810
 +86 21 20363-805
 info@cn.intorq.com

 INTORQ US Inc.
USA
300 Lake Ridge Drive SE
Smyrna, GA 30082, USA
 +1 678 236-0555
 +1 678 309-1157
 info@us.intorq.com

 INTORQ India Private Limited
India
Plot No E-7/3
Chakan Industrial Area, Phase 3
Nighoje, Taluka - Khed
Pune, 410501, Maharashtra, India
 +91 2135625500
 info@intorq.in